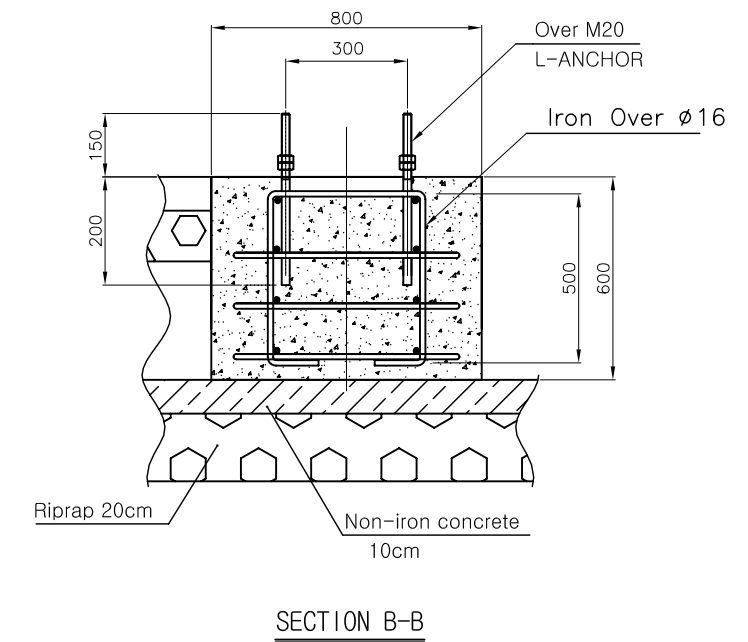
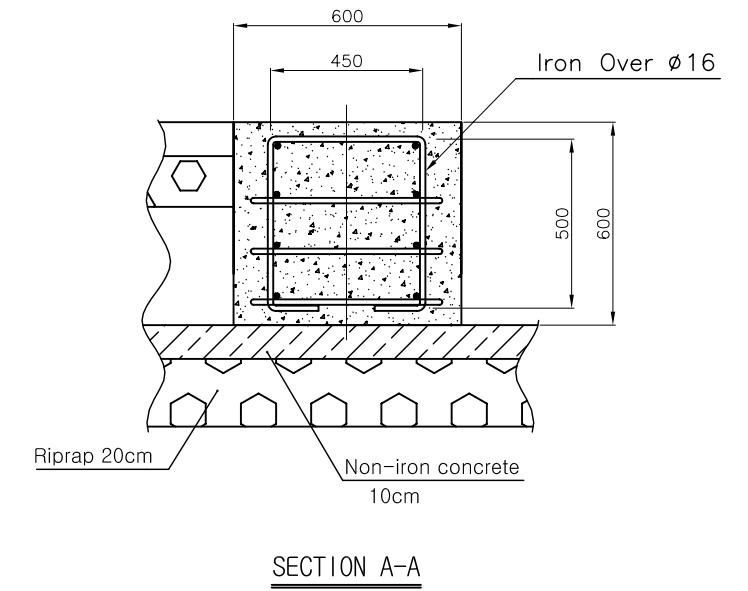
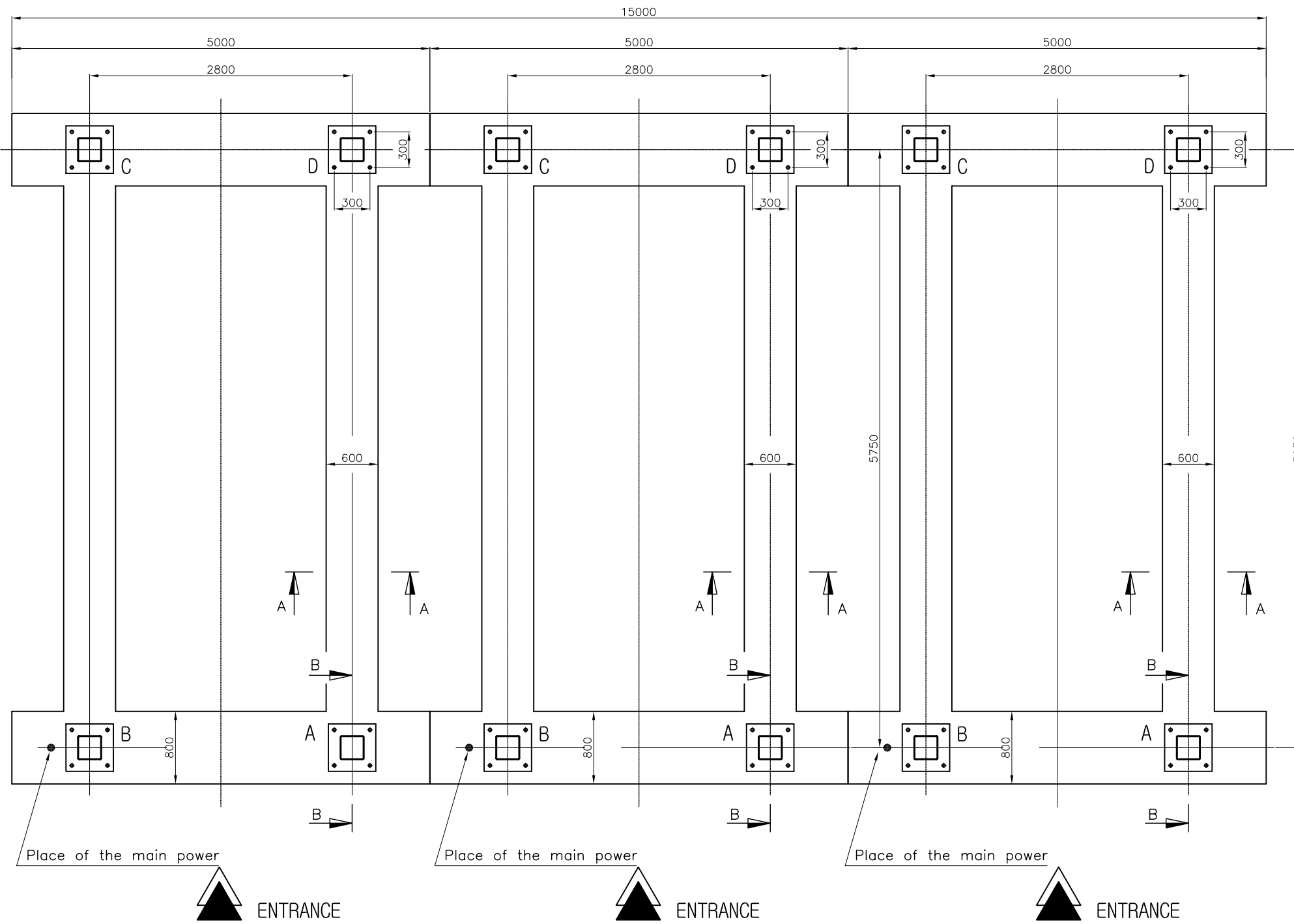


# Basic Construction



WWW.PARKMATIC.COM EMAIL: INFO@PARKMATIC.COM PHONE: 800-422-5438		PROJECT NAME		0000 PROJECT	
		APPR		DATE	2005.08.29
PART NAME	Basic Construction	CHEC		PROJECTION	
DWG.NO		DESIG		SCALE	