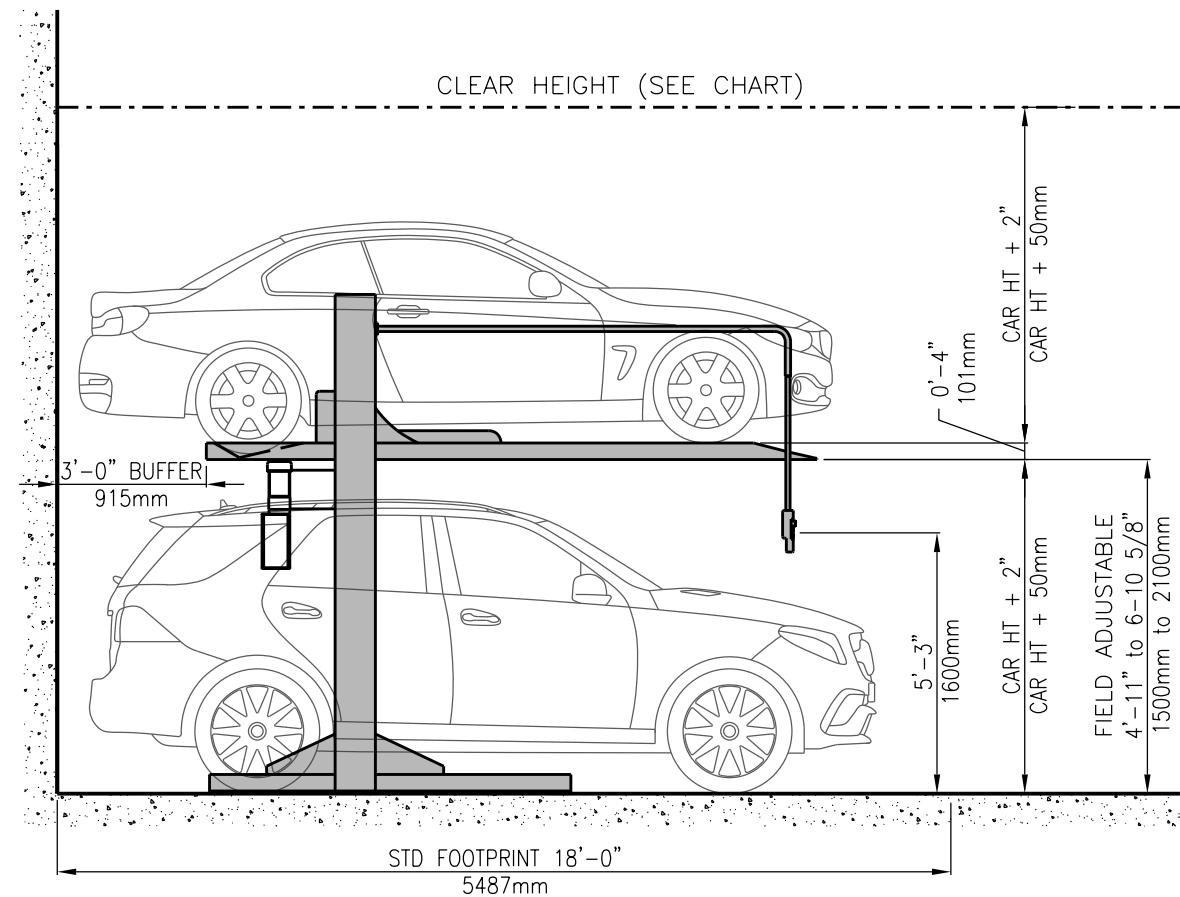


TECHNICAL SPECIFICATIONS			CLEARANCES	
SYSTEM TYPE	DOUBLE STACKER		TYPE	HEIGHT
MODEL NO.	VSS-7		L/L	11'-2"
PARKING CAPACITY	2 CARS		S/L	12'-2"
MAX VEHICLE DIMS	WHEELBASE	10'-2" (3,100 mm)	S/S	13'-2"
	TRACK*	5'-8 1/4" (1,670 mm)	L = SEDAN S = SUV	
	WIDTH	7'-0 5/8" (2,150 mm)		
	HEIGHT (ON GRADE)	6'-8 3/4" (2,050 mm)		
WEIGHT	7,000 lbs (3,175 Kg)			
LIFTING TIME	45 sec			
LOWERING TIME	15 sec			
3HP HYDRAULIC UNIT	AC220V, 1PH, 2.2 Kw			

* TRACK DIMENSION ASSUMES 9 1/4" (235mm) TIRE WIDTH



△					PROJECT					
△					PART NAME	VSS-7 DOUBLE STACKER				
REV	DETAIL OF REVISION	DATE	DESIGNED	APPROVED	PROJECTION	SCALE	DATE	DESIGNED	CHECKED	APPROVED
					⊕			SR	MW	
THIS CONFIDENTIAL DOCUMENT IS THE PROPERTY OF PARKMATIC AND SHALL NOT BE GIVEN, COPIED OR REPRODUCED WITHOUT PRIOR WRITTEN CONSENT.					NEW YORK OFFICE, USA 1129 Northern Blvd Suite #400 Manhasset, NY 11030 E: info@parkmatic.com P: +1-800-422-5438 W: parkmatic.com		DWG. NO.		REVISION	
PARKMATIC AUTOMATED & MECHANICAL PARKING SYSTEMS										