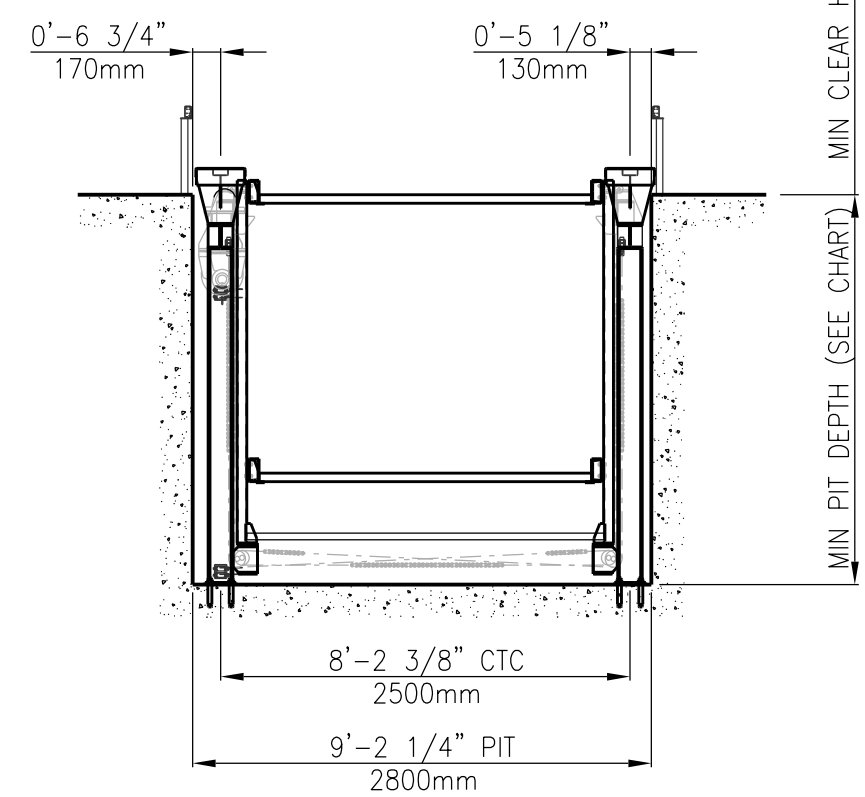


TECHNICAL SPECIFICATIONS				CLEARANCES ABOVE GRADE		
SYSTEM TYPE	PIT LIFT			TYPE	CLEAR HT*	CLEAR HT**
MODEL NO.	PTL-EM			L/L	11'-0"	6'-0"
PARKING CAPACITY	2 CARS			L/S	12'-0"	7'-0"
MAX CAR DIMS	LENGTH	17'-5" (5,300 mm)		S/S	13'-0"	8'-0"
	WIDTH	7'-2 1/2" (2,200 mm)		PIT DEPTH		
	HEIGHT	5'-3" (L) (1,600 mm)		TYPE	DEPTH	
		6'-3" (S) (1,900 mm)		L	7'-10"	
	WEIGHT	5,300 lbs (2,400 Kg)		S	8'-10"	
LIFTING MOTOR	3.7 Kw			* CAR PARKED AT GRADE		
POWER REQUIREMENTS	AC380V / 3 PH / 50 Hz			** NO CAR PARKED AT GRADE		
MAX NOISE LEVEL	<62 dB					
MAX QUEUE TIME	40 sec					
DRIVER TYPE	MOTOR + CHAIN					

L = COMPACT / SEDAN
S = SUV / LIGHT TRUCKS



PROJECT										
PART NAME		PTL-EM - ELECTROMECHANICAL PIT LIFT (1 LEVEL BELOW GRADE)								
REV	DETAIL OF REVISION	DATE	DESIGNED	APPROVED	PROJECTION	SCALE	DATE	DESIGNED	CHECKED	APPROVED
					SR				MW	
DWG. NO					REVISION					
THIS CONFIDENTIAL DOCUMENT IS THE PROPERTY OF PARKMATIC AND SHALL NOT BE GIVEN, COPIED OR REPRODUCED WITHOUT PRIOR WRITTEN CONSENT.		NEW YORK OFFICE, USA 1129 Northern Blvd Suite #400 Manhasset, NY 11030 E: info@parkmatic.com P: +1-800-422-5438 W: parkmatic.com								
		PARKMATIC AUTOMATED & MECHANICAL PARKING SYSTEMS								