

MORE PARKING IN LESS SPACE



QUAD STACKER

A cost effective way of parking four vehicles in the space of a single parking space.

Our **Quad Stacker** model is designed for fast and easy installation. Depending on the height clearance you have available, this model is capable of parking sedans and SUVs, and can handle up to 5,500lbs. Operation is done manually by an individual hydraulic power unit, or a master power unit supply, capable of operating up to 25 lifts at one time.

We Listen. We Respond. We Deliver.

Parkmatic designs, manufactures, services, and installs automated and mechanical parking systems. This technology is designed to combat the growing problem of efficiently managing automobiles in areas where congestion, zoning, and crime are problems, and land is scarce and expensive.

FEATURES AND BENEFITS



ENVIRONMENTALLY FRIENDLY

Less pollution, no exhaust fumes driving up and down aisles and ramps looking for a spot.



LOWER CONSTRUCTION COSTS

Less excavation costs and reduced floor slabs.



LAND SAVINGS

Automated parking systems use 30-70% less land than needed versus a conventional garage.



LOW MAINTENANCE

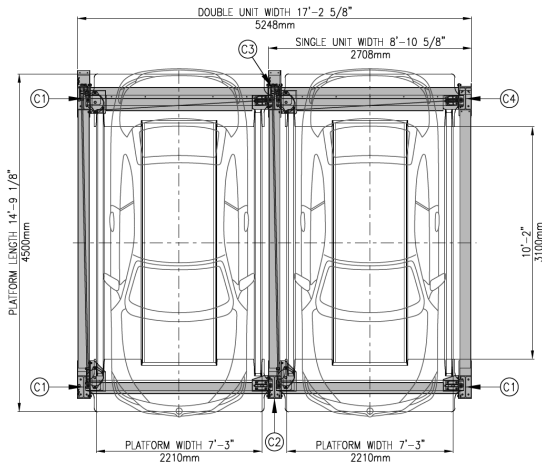
Operation costs are low and requires less energy to run, usually ~1kw per cycle time.



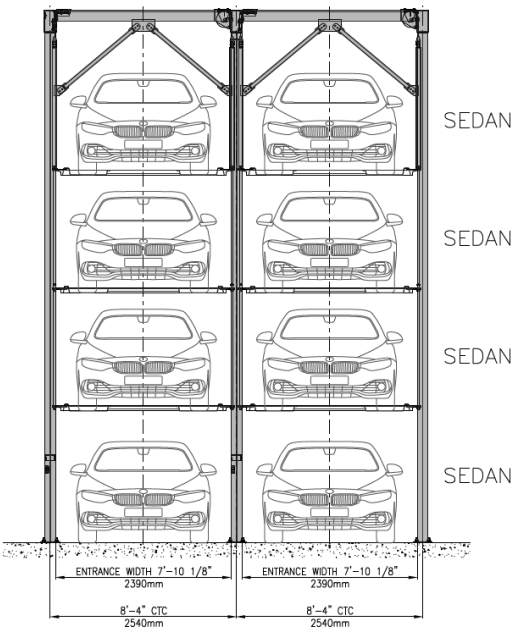
INCREASED RENTABLE AREAS

Gain back real estate for rentable areas or other amenities by only using half the space.

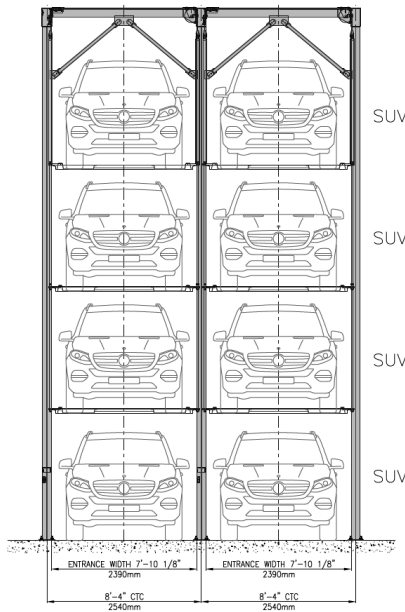
SPECIFICATIONS



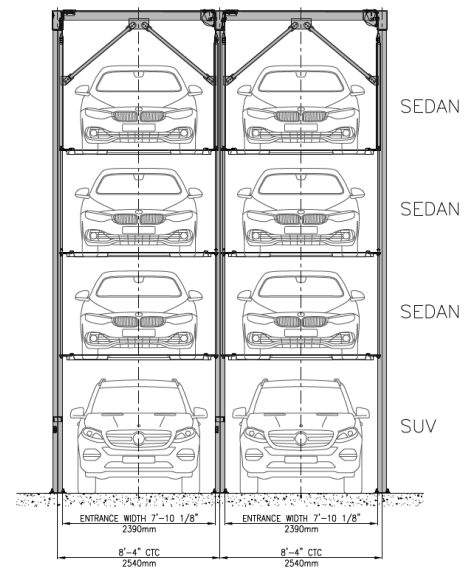
TECHNICAL SPECIFICATIONS		
MODEL NO.	VSS-PH4-L	
SYSTEM TYPE	QUAD STACKER	
PARKING CAPACITY	4 CARS	
MAX VEHICLE DIMS	WHEELBASE	10'-2" (3,100 mm)
	TRACK*	5'-7" (1,700 mm)
	HEIGHT	6'-7" (2,000 mm)
	WEIGHT	5,500 lbs (2,500 Kg)
CYLINDER	PISTON Ø120, ROD Ø40, 3070st	
LIFTING SPEED	18'-0"/min (5.5 m/min)	
WORKING PRESSURE	1,700 psi (120 kg/cm ²)	
20HP HYDRAULIC UNIT (1 per 10)	208-230V, 3PH, 60 Hz, 60 FLA	
POWER REQS	208-230V, 3PH, 80 amp	



Model VSS-PH4-L



Model VSS-PH4-S



Model VSS-PH4-SLL



Nissan Headquarters | Farmington Hills, MI

2 Quad Stackers

At Nissan's Headquarters in Farmington Hills, MI, we installed 3 Carousels to store vehicles at their testing facility. Additionally, we also installed 2 Quad Stackers adjacent to the Carousels to store their NV200 compact cargo vans.